

# EATON

# Vickers

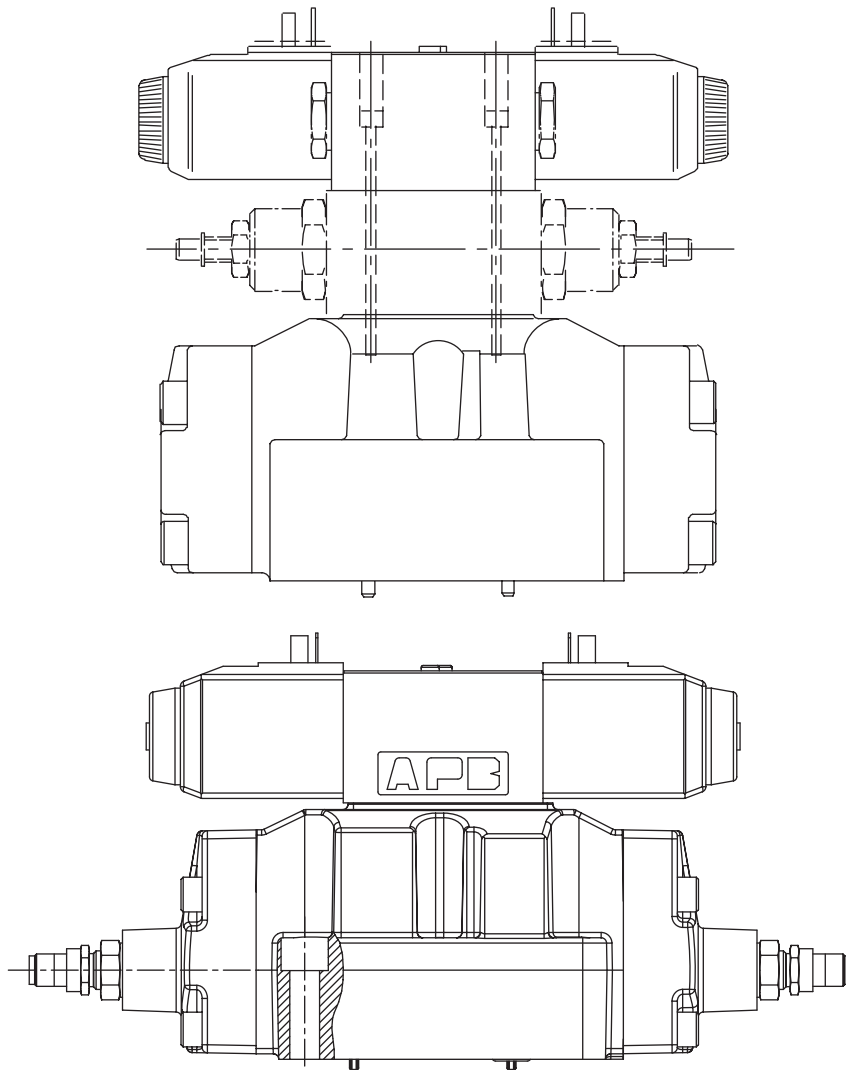
## Pilot Operated Directional Valves

Catalog

DG3V-7, 20 Series,  
Pilot Operated

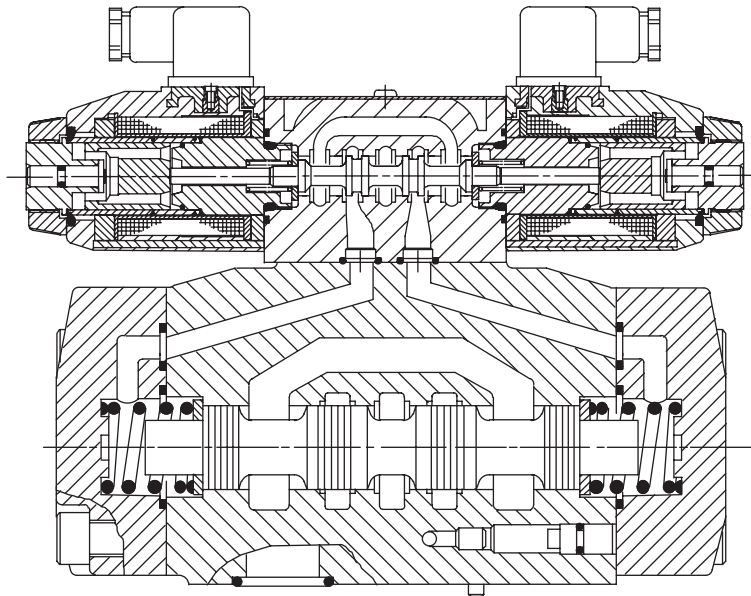
DG5V-7, 40 Series, Solenoid  
Controlled, Pilot Operated

ISO 4401 Size 07



# Table of Contents

<b>DG3V-7 20 Series, Pilot Operated Directional Valves</b>	
<b>DG5V-7 40 Series, Solenoid Controlled Pilot Operated Directional Valves</b>	
Introduction .....	2
Functional Symbols	
DG3V-7 Pilot Operated Directional Valves .....	3
DG5V-7 Solenoid Controlled, Pilot Operated Models .....	4
Symbols on Nameplates .....	5
Spool Types.....	5
Model Code .....	6
Application Notes .....	7
Operating Data .....	8
Performance Characteristics.....	10
Installation Instructions .....	12
Optional Features .....	13
Electrical Information .....	15



# Introduction

## General Description

DG\*V-7 valves are used primarily for controlling the starting, stopping and direction of fluid flow.

Two series of valves, DG5V solenoid controlled, pilot operated and DG3V pilot operated models are available with a choice of 18 different spools. These include meter-in and meter-out spools and a regeneration type that can obviate extra valves essential in traditional circuit arrangements.

All spools have been designed to provide good low shock, fast response characteristics which can be enhanced by optional stroke and/or pilot choke adjustments.

Models include spring offset, spring centered, pressure centered and detented versions. All are available with the option of an integral P-port pilot pressure generator. DG5V valves can be arranged for internal or external pilot pressure and/or drain connections.

## Features and Benefits

- High pressure and flow capability for maximum cost-effectiveness.
- Low headloss to minimize power wastage.
- Low shock characteristics to maximize machine life.
- Facility to change solenoid coils without disturbing the hydraulic envelope.

- The many optional features, particularly for DG5V valves, permit matching to virtually every application within the valve's power capacity.
- **Optional mainstage spool position monitoring switch (CE marked)**

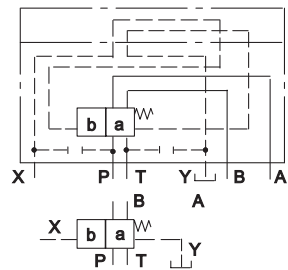
## Functional Symbols

### DG3V-7 Pilot Operated Models

Comprehensive and simplified symbols.

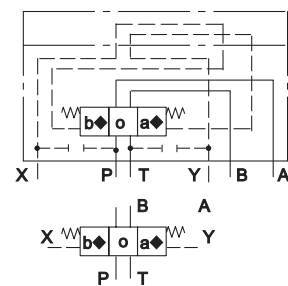
#### Spring Offset, End-to-End, DG3V-7-\*A

Spool types: 0, 2, 6, 9, 52, 521, X2▲, Y2▲



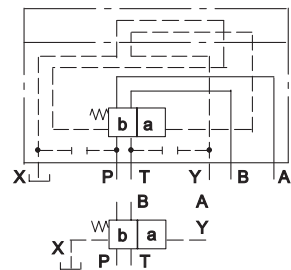
#### Spring Centered, DG3V-7-\*C

Spool types: All ▲



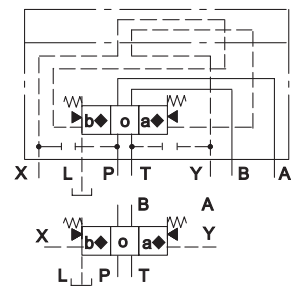
#### Spring Offset, End-to-End, Opposite Hand, DG3V-7-\*AL

Spool types: 0, 2, 6, 9, 52, 521, X2▲, Y2▲



#### Pressure Centered, DG3V-7-\*D

Spool types: All ▲

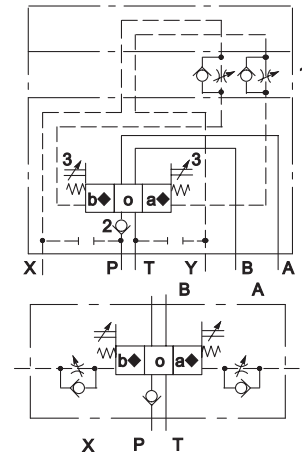


### DG3V-7 Options

The following are shown in a DG3V-7-\*C example:

1. Pilot choke module
2. Minimum pilot pressure generator
3. Stroke adjusters at either or at both ends (shown at both ends in example)

One or more options can be built into any DG3 series valve.



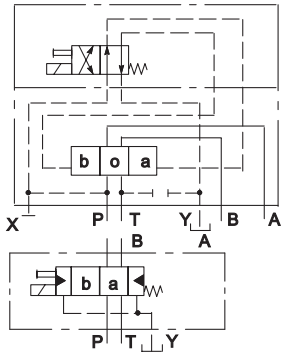
# Functional Symbols

## DG5V-7, Solenoid Controlled, Pilot Operated Models

Comprehensive and simplified symbols shown configured for external pilot supply and internal drain

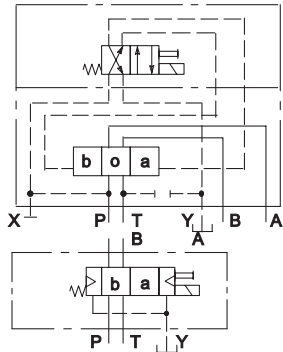
### Spring Offset, End-to-End, DG5V-7\*A

Spool types: 0, 2, 6, 9, 52, 521, X2▲, Y2▲



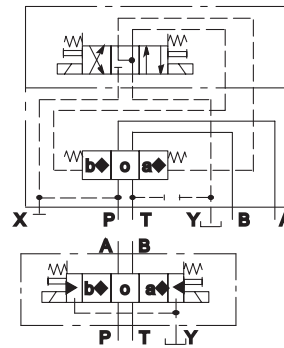
### Spring Offset, End-to-End, Opposite Hand, DG5V-7\*AL

Spool types: 0, 2, 6, 9, 52, 521, X2▲, Y2▲



### Spring Centered, DG5V-7\*C

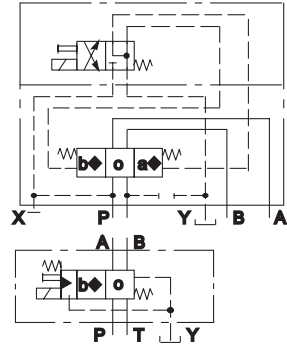
Spool types: All



- ◆ "a" and "b" interchanged for spool types 4 and 8.
- ▲ "X" and "Y" spools require a stroke adjuster at one or both ends, dependent on the application, to limit stroke towards "a" and/or "b".

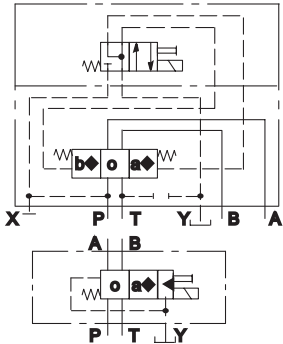
### Spring Offset, End-to-Center

Models DG5V-7\*B Spool types 0, 2, 52, 521, X2▲, Y2▲  
DG5V-7\*BL 4, 8



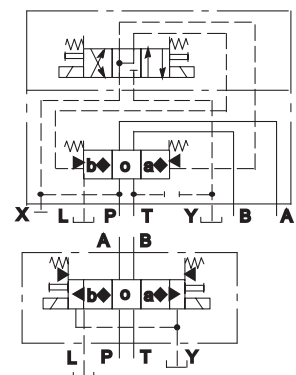
### Spring Offset, End-to-Center, Opposite Hand

Models DG5V-7\*B Spool types 4, 8  
DG5V-7\*BL 0, 2, 52, 521, X2▲, Y2▲



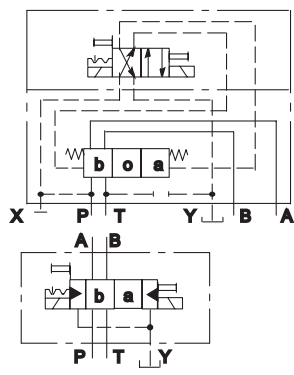
### Pressure Centered, DG5V-7\*D

Spool types: All



### Detented, DG5V-7\*N

Spool types: 0, 2, 6, 9, 52, 521, X2▲, Y2▲

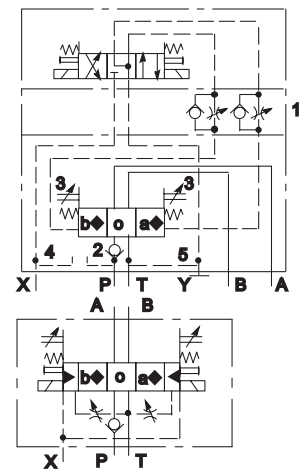


### DG5V-7 Options

The following are shown in a DG5V-7\*C example:

1. Pilot choke module
2. Minimum pilot pressure generator
3. Stroke adjusters, at either or at both ends (shown at both ends in example)
4. External pilot connection
5. Internal drain

One or more options can be built into any DG5 series valve, the only exception being that the internal drain option is not available with DG5V-7\*D (pressure centered) valves.

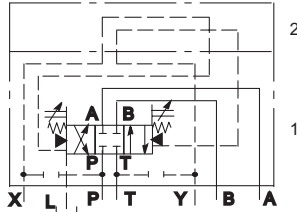


# Functional Symbols

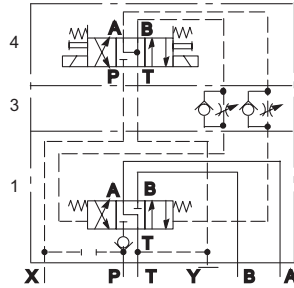
## Symbols on Nameplates

Typical illustrations for:

DG3V-7-2D-1

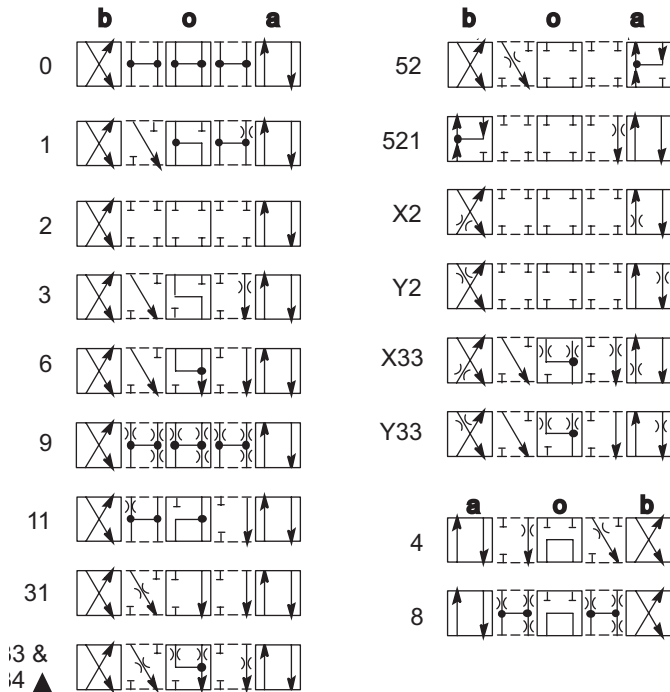


DG5V-7-3C-2-E-T-K



## Spool Types

Shown in 3-position form, plus 2 transients.



Notes:

1. In the detailed and simplified symbols on this and the previous pages, the transient positions are omitted for simplicity.

2. In certain 2-position valves, the "o" position becomes an additional transient, i.e. in DG5V-7-\*A(L) and DG5V-7-\*N valves.

▲ The performance of the "33" and "34" spools differ only in the center position.

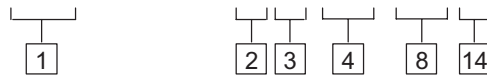
Your Eaton representative can provide further details.

# Model Codes

DG3V-7 20 Series, Pilot  
Operated Directional Valves

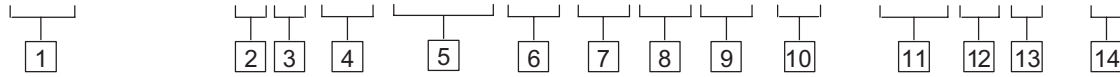
For pilot operated valves:

**(F3-) DG3V-7-\* \*\* (-\*\*) (-K)-2\***



For solenoid controlled, pilot operated valves:

**(F3-) DG5V-7-\* \*\* (-\*\*) (-P\*\*) (-E)(-T)(-K) (-\*)-(V) M-\*\*\*\*\* (L)-\* 5-4\***



## 1 Fluid Compatibility

**Blank** =  
Antiwear hydraulic oil  
(class LHM),  
invert emulsion (class LHFB),  
or water glycol (class LHFC)  
**F3** = As above or phosphate  
ester (class LHFD)

Note: For further information see  
"Hydraulic Fluids" section on page A.12.

## 2 Spool Type

See "Functional Symbols"  
section on pages 3-4.

## 3 Spool Spring Arrangement

**A** = Spring offset, end-to-  
end (P to B when oper-  
ated)

**AL** = As "A" but left-hand  
build (P to A when  
operated)

**B** = Spring offset, end-to-  
center (P to B when  
operated) ■

**BL** = As "B" but left-hand  
build (P to A when  
operated) ■

**C** = Spring centered

**D** = Pressure centered

**N** = Two-position detented

■ DG5V option. Same function from  
DG3V-7-\*C valves by alternating pilot  
supply to one port (X or Y) and perma-  
nently draining the other.

## 4 Spool Control

**1** = Stroke adjustment at both  
ends ▲

**2** = Pilot choke adjustment  
both ends

**3** = "1" and "2" combined ▲

**7** = Stroke adjustment, port A  
end only ▼

**8** = Stroke adjustment, port B  
end only ▼

**27** = "2" and "7" combined ▼

**28** = "2" and "8" combined ◆

Omit if not required

▲ Not applicable to DG5V-7-\*B(L) models.

▼ Not applicable to models shown in  
the "Spring offset, end-to-center,  
opposite hand" section on page A.3.

◆ Not applicable to models shown in  
the "Spring offset, end-to-center" section  
on page A.3.

## 5 Main Stage Spool Monitoring Switch

(Omit if not required.)

**PCA** - Center sensing switch  
on "A" port end

**PCB** - Center sensing switch  
on "B" port end

**PDA** - Double offset sensing  
switch on "A" port end

**PDB** - Double offset sensing  
switch on "B" port end

**PCD** - Center sensing switch  
on "A" port end and  
double offset sensing  
switch on "B" port end

**PPA** - Offset sensing proximity  
switch "A" port end

**PPB** - Offset sensing proximity  
switch "B" port end

**PPD** - Offset sensing proximity  
switch both ends

\* The spool position monitoring switch  
shown on this technical document is CE  
marked and certified and complies to  
European Standard EN 61000-6-4: 2001  
(Emissions) for Class A and European  
Standard EN 61000-6-2: 2001 (Immunity).

## 6 External Pilot Supply. DG5V Valve Option

Omit for internal pilot supply

## 7 Internal Pilot Drain, DG5V Valve Option

Omit for external drain, which  
is also mandatory for 1, 4, 8  
and 9 spool-type valves

## 8 Minimum-Pilot-Pressure Generator ("P" Port Option)

**K** = 0,35 bar (5 psi) cracking  
pressure

Omit if not required

## 9 Manual Override Option

**Blank** = Plain override in sole-  
noid end(s) only ▲

**H** = Water-resistant manual  
override on solenoid end(s)▲

**Z** = No override at either end

▲ No override in non-solenoid end of  
single-solenoid valves.

## 10 Solenoid Energization Identity

**V** = Solenoid "A" is at port A  
end of pilot valve and/or  
solenoid "B" at port B  
end independent of  
main-stage valve port  
locations or spool type;  
German practice.

Omit (except as noted  
below) for US ANSI B93.9  
standard whereby solenoid  
"A" is that which, when  
energized, connects P to A  
in main-stage valve, and/or  
solenoid "B" connects P to B.  
Note: Energization identities on valves  
with type 4 or 8 spools are identical  
under US and German practices. In such  
cases the "V" code is used.

## 11 Solenoid Type/Connection(s)

**U** = ISO 4400 (DIN 43650)  
mounting ■

**FW** = 1/2 NPT thread  
junction box

**FTW** = 1/2 NPT thread  
junction box and  
terminal strip

**FJ** = M20 thread  
junction box

**FTJ** = M20 thread junction  
box and terminal strip

**FPA3W** = Junction box with  
3-pin male connector ◆ to  
NFPA T3.5.29-1980 for sin-  
gle-solenoid valves

**FPA5W** = Junction box with  
5-pin male connector◆ to  
NFPA T3.5.29-1980 for single

or double-solenoid valves

■ Some female plug connector options  
available separately from Vickers  
Systems (see "Plugs for ISO 4400" on  
page A.16). Others available from electri-  
cal stockists.

◆ Female connector to be supplied by user.

## 12 Indicator Lights, Option for Codes FTJ, FTW, FPA3W and FPA5W in item 10.

**L** = Lights fitted

Omit if lights not required

For U-code solenoids use plug with  
integral light, see page A.16.

## 13 Coil Rating

See "Operating Data" on  
page XX for further informa-  
tion.

**A** = 110V AC 50 Hz

**B** = 110V AC 50 Hz/ ◆  
120V AC 60 Hz

**C** = 220V AC 50 Hz

**D** = 220V AC 50 Hz/ ◆  
240V AC 60 Hz

**G** = 12V DC

**H** = 24V DC

◆ For 60 Hz or dual frequency.

## 14 Design Number

20 series for DG3V valves.  
40 series for DG5V valves.

Subject to change. Installation dimen-  
sions unaltered for design numbers \*0  
to \*9 inclusive.

## For Mounting Subplate and Fastener Kit Options

See "Supporting products"  
on page A.10.

## For ISO 4400 (DIN 43650) Electrical Plugs to Suit DG5V---(V)M-U Valves

See "Installation Dimensions"  
and "Electrical Plugs and  
Connectors" on page A.13.

## Pilot Pressure

- a. Pilot pressure must always exceed tank line pressure by at least the requisite minimum pilot pressure. This also applies when combining open-center spools (0, 1, 4, 8, 9 and 11) with internal pilot pressure, but they should be used only with externally drained valves.
- b. Internally drained valves may be used only when surges in the tank line cannot possibly overcome the minimum pilot pressure differential referred to above. When the possibility of pressure surges in the tank line exist, externally drained valves are recommended.
- c. When DG5V-7-\*N valves are de-energized the pilot and main spools remain in the last selected position, provided that pilot pressure is maintained. If pilot pressure fails, or falls below the minimum, the main spool will spring center.

Caution: Because of this in-built feature the flow conditions of the center position must be selected with care, for the effect on both the direction of flow and the pilot pressure.

## Minimum-Pilot-Pressure Generator

### Option

Can be built into the P-port to create a minimum pilot pressure differential of 0,35 bar (5 psi) where internal pilot pressure is required with open-centered spools, i.e. 0, 1, 4, 8, 9 and 11.

### Stroke Adjustment Options

These control the maximum opening of the main spool/body passages by adjusting the limits of spool stroke. By this means, the response time and the pressure drop across the valve for any particular flow rate can be controlled. Stroke adjusters can be fitted at either or both ends of the main-stage valve for adjusting the stroke in one or both directions. One use of stroke adjusters is for controlling the metering characteristics of "X\*" or "Y\*" - type spools. (See model code #4.)

## Pilot Choke Adjustment Options

These provide a meter-out flow control system to the fluid in the pilot chambers of main-stage valves. It allows the velocity of the main-stage spool to be controlled, thereby reducing transient shock condition. For optimum results, a constant reduced pilot pressure is recommended.

## Control Data, General

- a. Dependent on the application and the system filtration, any sliding spool valve, if held shifted under pressure for long periods of time, may stick and not move readily due to fluid residue formation. It may therefore need to be cycled periodically to prevent this from happening.
- b. Surges of fluid in a common drain line serving two or more valves can be of sufficient magnitude to cause inadvertent shifting of the spools. It is recommended that circuit protection be used, such as separate drain lines.
- c. Control by stroke adjusters, pilot chokes and minimum-pilot-pressure generator options is described on this page.

# Operating Data

Performance data typical under standard test conditions which use antiwear hydraulic oil (Class L-HM) at 21 cSt (102 SUS) and 50 C (122 F).

## MAXIMUM PRESSURES:

### DG3V-7 valves; ports:

P, A, B, T, X and Y	350 bar (5000 psi)
L	0,5 bar (7 psi)

### DG5V-7-\*\*(L)(-\*)(-E)(-\*) valves, (externally drained); ports:

P, A, B, T and X	350 bar (5000 psi) ▲
Y	100 bar (1500 psi) ▲
L	0,5 bar (7 psi)

### DG5V-7-\*\*(L)(-\*)(-E)-T(-\*) valves, (internally drained); ports:

P, A, B and X	350 bar (5000 psi) ▲
T	100 bar (1500 psi) ▲

Available for all except the DG5V-7-D pressure centered models

▲ The DG5V, 40 design two-stage valves have been designed to satisfy the needs of most applications.

Consult your Eaton representative about an alternative model if:

a) Valves are required to remain pressurized for long periods without frequent switching, and /or

b) Back pressure on the drain port of externally drained models (or the tank port of internally drained models) is required to rise above 100 bar (1500 psi).

## MAXIMUM FLOW RATES, L/MIN (USGPM) AT THE MINIMUM PILOT PRESSURES ■, AND WITH SPOOL TYPE:

See Pilot Pressures on page XX	70 (1000)	140(2000)	210 (3000)	280 (4060)	350 (5000)
0, 2, 3, 6, 31, 33, 52 or 521 ◆	300 (80)	300 (80)	300 (80)	300 (80)	300 (80)
1, 4, 9 or 11	260 (69)	220 (58)	120 (32)	100 (26)	90 (24)
8	300 (80)	300 (80)	250 (66)	165 (44)	140 (37)

■ Higher flow rates possible at higher pilot pressures; consult your local Eaton sales engineer.

◆ Consult your local Eaton sales engineer regarding flow limits relative to the regenerative position of type 52 and 521 spools.

**Pilot pressures** See "Pilot Pressures" on page A.11.

### Control (swept) volume(s), DG3V and main-stage of DG5V valves:

Center-to-end	4,07 cm <sup>3</sup> (0.25 in <sup>3</sup> )
End-to-end	8,14 cm <sup>3</sup> (0.50 in <sup>3</sup> )

**Voltage ratings, DG5V valves** See 12 in "Model Code" on page A.7.

### Voltage limits, DG5V valves:

Maximum voltage	See "Temperature limits", on page A.9.
Minimum voltage	90% of rated voltage

### Power consumption, DG5V valves with AC solenoids: Initial VA rms Holding VA rms

Single-frequency coils, 50 Hz types "A" and "C"	225	39
Dual-frequency coils at 50 Hz, types "B" and "D"	265	49
Dual-frequency coils at 60 Hz, types "B" and "D"	260	48

**Power consumption, DG5V valves with DC solenoids** 30W at rated voltage and 20 C (68 F)

**Relative duty factor, DG5V valves** Continuous; ED = 100%

### Type of protection, DG5V valves:

ISO 4400 coils with plug fitted correctly	IEC 144 class IP65
Junction box	IEC 144 class IP65 (NEMA 4)
Coil winding	Class H
Lead wires (coil types "F****")	Class H
Coil encapsulation	Class F



# Operating Data

**Pressure drop characteristics** See page A.11.

**Response times, DG5V valves:** See "Response Times" section on page A.12.

Typical values for a DG5V-7-2C-E spring centered, externally piloted valve under standard test conditions and operating with 150 L/min (40 USgpm) at 350 bar (5000 psi).

Coil rating:	Pilot pressure, bar (psi):	Energizing	Time, ms ◆ De-energizing
110V 50 Hz	15 (218)	120	55
	50 (730)	45	55
	150 (2180)	25	55
	210 (3000)	20	55
	250 (3600)	18	55
24V DC	15 (218)	130	65▲
	50 (730)	55	65▲
	150 (2180)	35	65▲
	210 (3000)	30	65▲
	250 (3600)	28	65▲

◆ From applying a signal at the solenoid until the main-stage spool completes its travel.

▲ In pure switched circuit conditions, devoid of the effects of any suppression diodes and full-wave rectifiers.

## TEMPERATURE LIMITS:

Fluid temperature limits See page XXX.

Ambient temperature limits: See page XXX.

Minimum ambient, all valves -20°C (-4°F)

## Maximum ambients, DG5V valves with coils listed in 12 in "Model Code" two pages back, and under conditions stated below:

### Dual-frequency coils:

at 50 Hz and 107% of rated voltage 65°C (150°F)

at 50 Hz and 110% of rated voltage 65°C (150°F)

at 60 Hz and 107% of rated voltage 65°C (150°F)

at 60 Hz and 110% of rated voltage 65°C (150°F)

Single-frequency (50 Hz) coils at 50 Hz and 110% of rated voltage 65°C (150°F)

DC coils at 110% of rated voltage 70°C (158°F)

## INSTALLATION DIMENSIONS:

Valves See page XXX

Mounting Surface See catalog 2425

### Mass (weight), basic models: kg (lb) approx.

DG3V-7-\*A(L) 10,0 (22.0) ◆

DG3V-7-\*/\*B(L)/\*C 7,3 (16.1) ◆

DG3V-7-\*D 8,4 (18.5) ◆

DG5V-7-\*A/B (AC voltages) 8,4 (18.5) ◆

DG5V-7-\*A/B (DC voltages) 8,5 (18.7) ◆

DG5V-7-\*C/N (AC voltages) 8,7 (19.2) ◆

DG5V-7-\*C/N (DC voltages) 9,1 (20.0) ◆

DG5V-7-\*D (AC voltages) 9,8 (21.6) ◆

DG5V-7-\*D (DC voltages) 10,2 (22.5) ◆

◆ Add 1,1 kg (2.4 lb) when pilot chock adjustment is fitted.

### Supporting products:

Subplate See catalog 2425

Fastener kits See catalog 2314 for available metric bolt kit options, i.e. BKDG7-858918 and BKDG7-858919.

### Installation and start-up (commissioning):

Mounting attitudes, DG3V series Optional for models shown.

Mounting attitudes, DG5V series Optional for DG5V-7-\*B(L)/C/D models, but horizontal mounting is recommended for DG5V-7-\*A(L)/N models

### After-sales service:

Spare-parts data for DG3 valves and main stages of DG5 valves, and pilot choke modules Consult your local Eaton representative

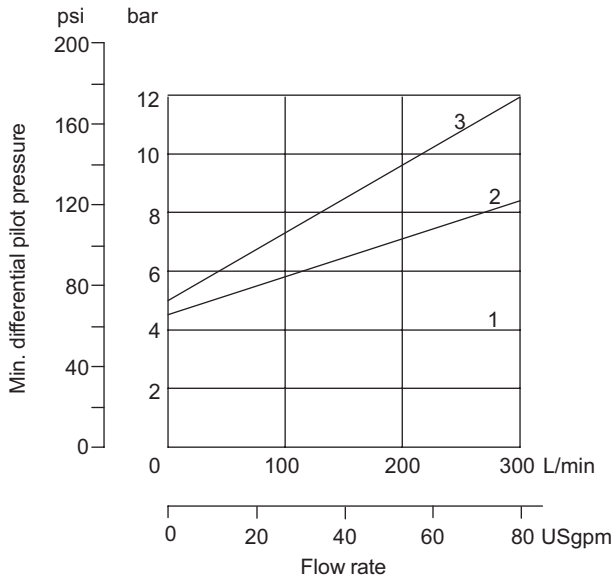
Spare-parts data for DG4V-3S pilot stages of DG5 models Ask for spares leaflet I-3886-S (minimal text, in English).

# Performance Characteristics

## Pilot Pressures

Maximum: 350 bar (5000 psi).

Typical minimum differential pilot pressure characteristics, shown below, are based on looped flow through P to A to B to T under standard test conditions.



Spool Types	0	1	2	3	4	6	8	9	11	31	33	52	X*	Y*
Curve ref.	1	1	3	3	1	2	1	1	1	3	3	3	3	3

### Applicable to:

Model	Spool type	Curve correction
DG3V-7-*C	All	As drawn
DG3V-7-*D	All	Add 5 bar (73 psi)
DG5V-7-*A(L)	0, 2, 6, 9, 52, X2 & Y2	Subtract 3 bar (44 psi)
DG5V-7-*B(L)	0, 2, 6, 52▲, X2 & Y2	As drawn
DG5V-7-*C	All	As drawn
DG5V-7-*D	All	Add 5 bar (73 psi)
DG5V-7-*N	0, 2, 6, 9, 52, X2 & Y2	As drawn

▲ DG5V-7-52BL models only.

## Pressure Drop△ Characteristics

The following typical pressure drops ( $\Delta p$ ) at flow rates ( $Q$ ) are based on standard test conditions, using oil of 0.865 specific gravity. Except where otherwise stated, for any other flow rate ( $Q_1$ ) the pressure drop ( $\Delta p_1$ ) will be approximately  $\Delta p_1 = \Delta p (Q_1/Q)^2$ .

SPOOLTYPE	FLOW-DIRECTION CURVE REFERENCE				
	P → A	B → T	P → B	A → T	P → T
0	2	1	2	3	3■
1	1	2	2	3	4▼
2	1	2	1	2	-
3	1	2	1	3	-
4	2	2	2	1	6
6	1	1	1	3	-
8	2	2	2	1	5
9	1	2	1	3	7
11	2	3	1	2	4
31	1	3	1	2	-
33	1	2	1	2	-
52▲	2●	-	3▼	-	-
52◆	-	-	3	3	-

■ Ports A and B plugged. ▼ Port A plugged. ▲ Selected P to A. ● Port B plugged. ◆ Selected P to B.

# Performance Characteristics

## Minimum-Pilot-Pressure Generator

For valves fitted with this option, the P to A or B pressure drop derived from the graph on the previous page is increased by 3,5 bar (51 psi) at 50 L/min (13 USgpm).

At any other flow rate Q1 the total pressure drop becomes:

- a. For pressures in bar and flow rates in L/min:

$$\Delta p_1 = (Q_1/50)^2$$

- b. For pressures in psi and flow rates in USgpm:

$$\Delta p_1 = 51(Q_1/13.2)^2$$

## Hydraulic Fluids

Materials and seals used in these valves are compatible with antiwear hydraulic oils, water-glycols, water-in-oil emulsions and non-alkyl-based phosphate esters. The extreme operating range is 500 to 13 cSt (2270 to 70 SUS) but the recommended running range is 54 to 13 cSt (245 to 70 SUS). For further technical information about fluids see "Technical Information" leaflet B-920 or I-286S.

## Contamination Control Requirements

Recommendations on contamination control methods and the selection of products to control fluid condition are included in Vickers publication 9132 or 561, "Vickers Guide to Systemic Contamination Control". The book also includes information on the Vickers concept of "ProActive Maintenance".

The following recommendations are based on ISO cleanliness levels at 2 μm, 5 μm and 15 μm. For products in this catalog the recommended levels are:

Up to 210 bar (3000 psi)  
**20/18/15**

Above 210 bar (3000 psi)  
**19/17/14**

## Fluid Temperatures

For petroleum oil:

Min. . . . . -20°C (-4°F)  
Max.\*. . . . . +70°C (+158°F)

\* To obtain optimum service life from both fluid and hydraulic system, 65°C (150°F) normally is the maximum temperature.

For other fluids where limits are outside those of petroleum oil, consult fluid manufacturer or Eaton representative.

Whatever the actual temperature range, ensure that viscosities stay within those specified under "Hydraulic Fluids".

# Installation Dimensions

Millimeters (inches)

## Solenoid Controlled Models with ISO 4400 (DIN 43650)

### Electrical Connections and Pilot Choke

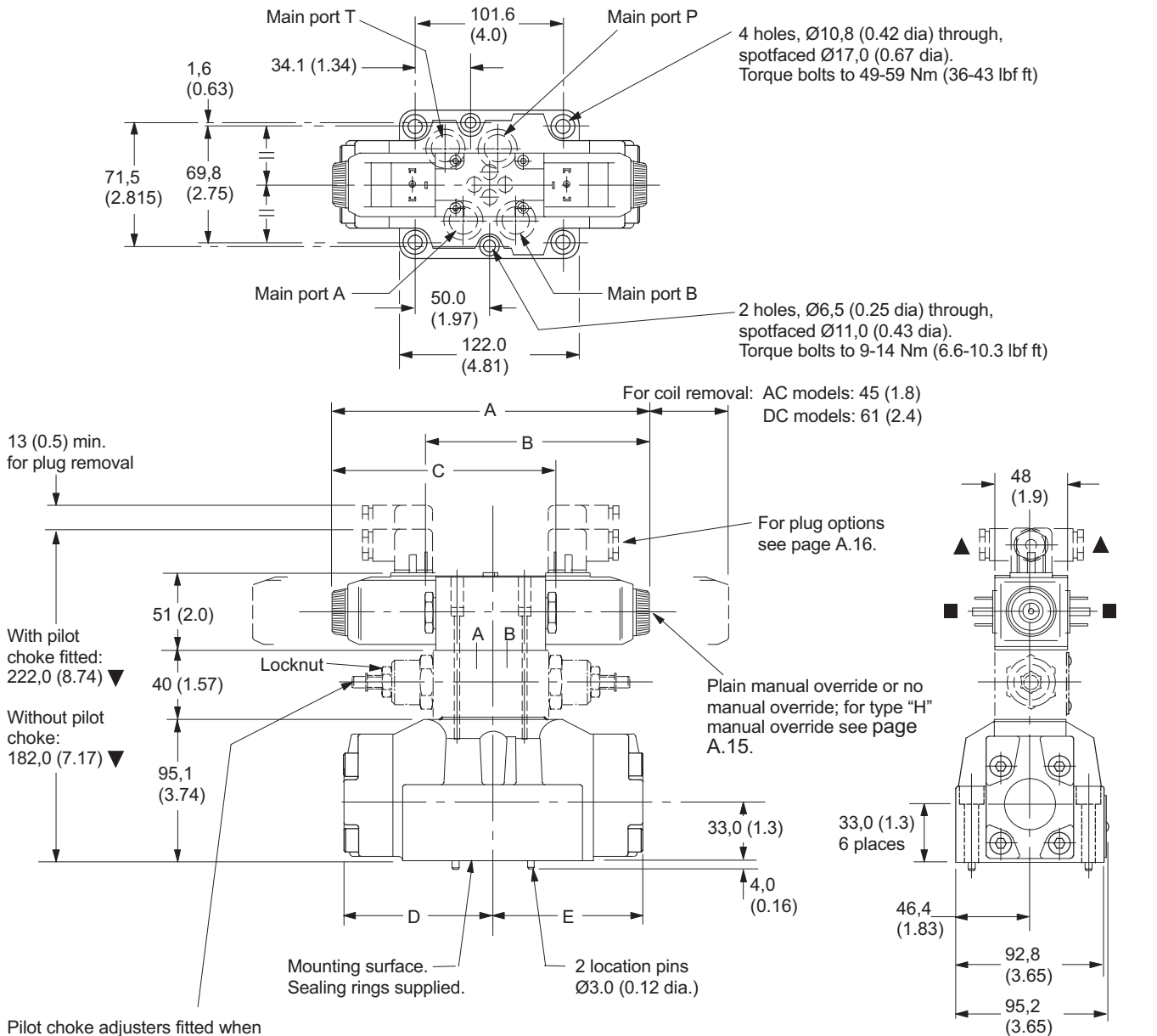
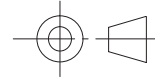
DG5V-7-\*\*(L)(-2)(-E)(-T)(-K)(-\*)(-V)M-U example

For dimensions A, B, C, D and E see page A.15.

For solenoid identification see page A.15.

For stroke adjusters see page A.14.

3rd angle  
projection



Pilot choke adjusters fitted when Model Code **4** = 2, 3, 27 or 28. To adjust, turn locknut counter-clockwise, then turn screw clockwise to slow down rate of spool travel, or counter-clockwise to increase the rate. Retighten locknut to 25-30 Nm (18-22 lbf ft).

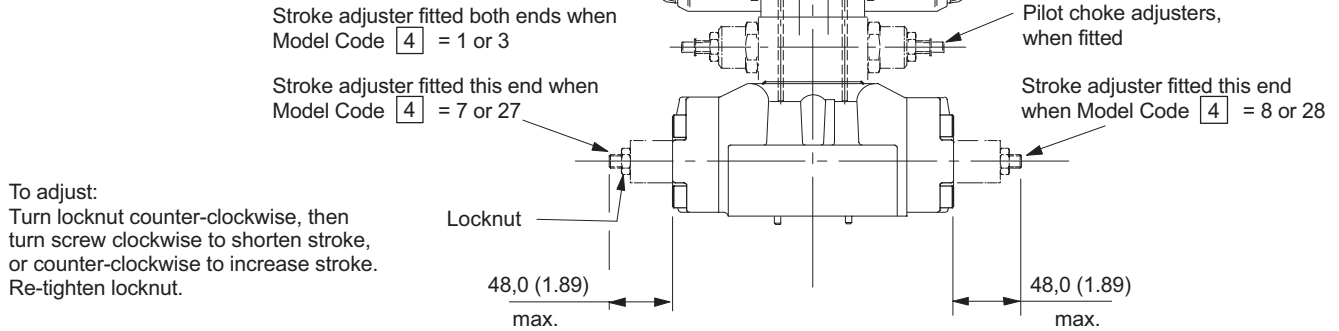
- ▼ May vary according to plug source.
- Alternative plug positions by loosening knurled nut counter-clockwise, turning coil and re-tightening nut.

- ▲ Cable entry can be positioned at 90° either way from position shown, by re-assembling the contact holder into the appropriate position inside the plug connector housing.

# Optional Features

## Solenoid Controlled Models with Stroke Adjusters

DG5V-7-\*\*\*(L)(-2)(-E)(-T)(-K)(-\*)(-V)M-U example  
 For solenoid identification see page A.15.



To adjust:  
 Turn locknut counter-clockwise, then turn screw clockwise to shorten stroke, or counter-clockwise to increase stroke. Re-tighten locknut.

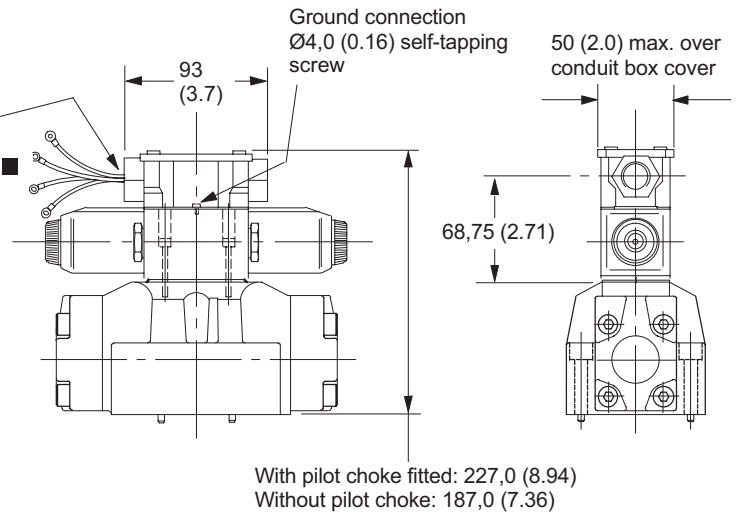
## Solenoid Controlled Models with Junction Box having Optional Terminal Strip and Indicator Lights

DG5V-7-\*\*\*(L)(-\*)(-E)(-T)(-K)(-\*)(-V)MF\*\*(L) example.  
 For solenoid identification see page A.15.

Available also with other options shown above and on previous page.

M20-6H x 1,5 thread for F(T)J options, or 1/2" NPT for F(T)W options, at both ends. Closure plug fitted at one end.

For other options see **10** & **11** in "Model Code", eight pages back, and under "NFPA Connector---" and "Terminal Strip and Lights" sections, two pages on.

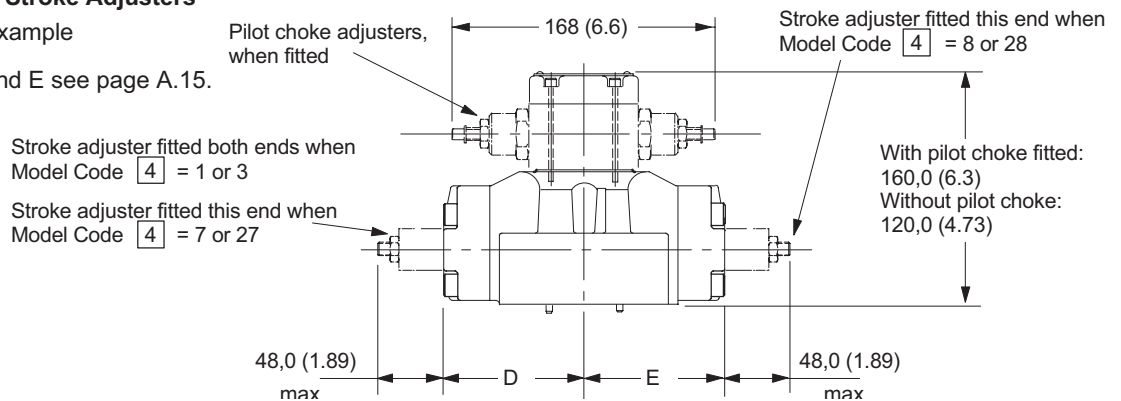


- Ref. "Model Code" **10**:  
 Codes "FJ" and "FW": 2 lead wires for each solenoid, approx. 150 (6.0) long. M3 (#6) terminals provided for customer connection.  
 Codes "FTJ" and "FTW": Valve supplied with lead wires connected into terminal strip suitable for M3 (#6) terminals provided for customer connection.

## Pilot Operated Models with Optional Pilot Choke and/or Stroke Adjusters

DG3V-7-\*\*-2)(-\*\*) example

For dimensions D and E see page A.15.



# Optional Features

## SOLENOID IDENTIFICATION

Model (see also in "Model Code" on page A.6)	Spool types	Solenoid identity at: Main port "A" end	Solenoid identity at: Main port "B" end
DG5V-7-*A/B(-**)(-E)(-T)(-K)(-*)-M	All except "4" & "8"	–	B
DG5V-7-*A/B(-**)(-E)(-T)(-K)(-*)-VM	All except "4" & "8" "4" & "8" only	– B	A –
DG5V-7-*AL/BL(-**)(-E)(-T)(-K)(-*)-M	All except "4" & "8"	A	–
DG5V-7-*AL/BL(-**)(-E)(-T)(-K)(-*)-VM	All except "4" & "8" "4" & "8" only	B –	– A
DG5V-7-*C/D/N(-**)(-E)(-T)(-K)(-*)-M	All except "4" & "8"	A	B
DG5V-7-*C/D/N(-**)(-E)(-T)(-K)(-*)-VM	All spools	B	A

## DIMENSIONS

Basic model designation	AC models			DC models				
	A	B	C	A	B	C	D	E
DG3V-7-*C	–	–	–	–	–	–	97,0 (3.82)	97,0 (3.82)
DG3V-7-*A ■	–	–	–	–	–	–	97,0 (3.82)	131,0 (5.16)
DG3V-7-*A(L) ■ DG3V-7-*D	–	–	–	–	–	–	131,0 (5.16)	97,0 (3.82)
DG5V-7-*A ■ DG5V-7-*B ■ DG5V-7-4/8BL	–	147 (5.8)	–	–	157 (6.2)	–	97,0 (3.82)	97,0 (3.82)
DG5V-7-*AL ■ DG5V-7-*BL ■ DG5V-7-4/8B	–	–	147 (5.8)	–	–	157 (6.2)	97,0 (3.82)	97,0 (3.82)
DG5V-7-*C DG5V-7-*N	200 (7.8)	–	–	220 (8.7)	–	–	97,0 (3.82)	97,0 (3.82)
DG5V-7-*D	200 (7.8)	–	–	220 (8.7)	–	–	131,0 (5.16)	97,0 (3.82)

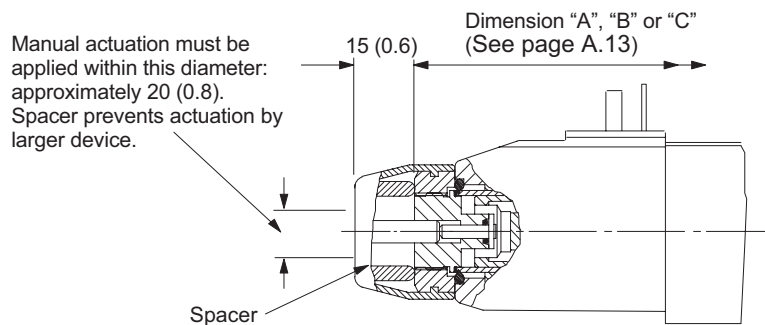
■ Not types "4" or "8" spools.

## Water-Resistant Manual Override on Solenoids

DG5V-7---M-\*---\*(L)-H valves

### Application:

General use where finger operation is required (standard manual overrides can only be operated by using a small tool).

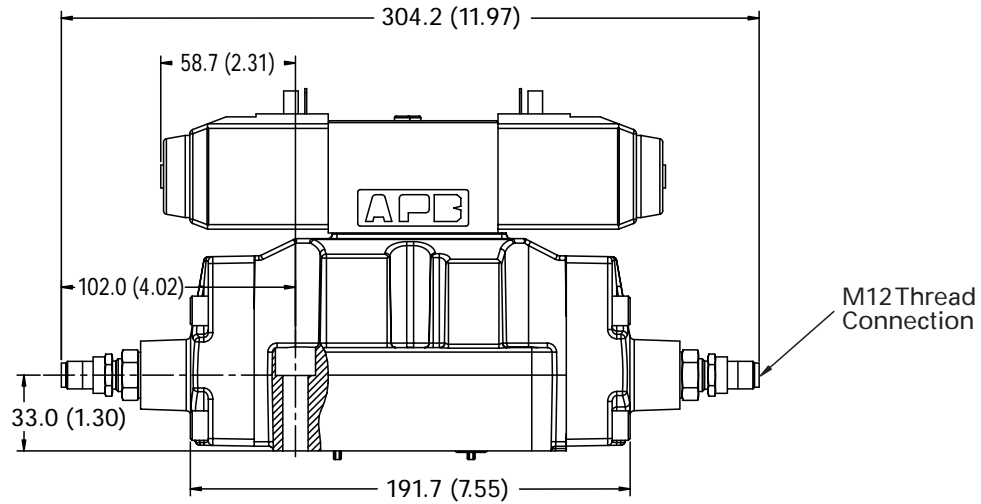


Note: "H" feature is not field convertible from other models; specify with order.

# Electrical Information

## DG5V-7 with Main Stage Spool Monitoring Switch "PPA", "PPB" or "PPD" Models (Proximity Switch)

Millimeters (inches)

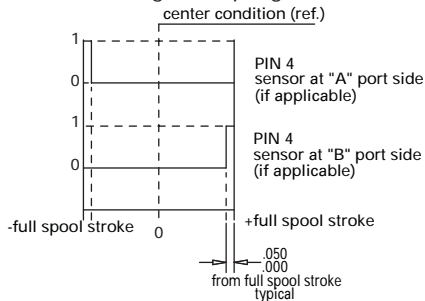


### SPECIFICATIONS

Supply Voltage (Vs)	10 to 30 Vdc
Supply Current (Is)	8 mA at 24 Vdc (plus load current)
Supply Over-voltage Rating:	35 Vdc continuous
Supply Reverse Polarity Rating	-35 Vdc (with no shorts)
Short Circuit Tolerance:	Continuous short between any two pins
High Potential Test, Pin to Case:	300 Vdc
Electromagnetic Compatibility:	ISO 7637 Parts 0 and I worst case and Immunity to Radiated Electromagnetic Fields, 10 KHZ to 1 GHZ per SAE J1113/25 Sep 95
Pins to Case Resistance	50 Megohms
Load Dump Tolerance:	80 Vdc Peak, 400 ms Decay, with 1.5 Ohm Source Impedance
Switching Frequency:	0 to 3K Hz
Output:	Open collector PNP sourcing, normally open
Sensing Distance "d":	.050" ±.010"
Hysteresis:	.010" Max.
Sense Target:	Ferromagnetic steel, minimum dimensions are .75" x .75" x .05" thick
Rise/Fall Time:	6.5/1.5 microsec R1=820 Ohm, C1=20 pF @ 8Vdc
Output Leakage Current	10µa Max.
Output Voltage High:	+Vs - 2.2 Vdc minimum
Output Load Current:	200 mA Max.
Operating Pressure:	5000 psi rating per NFPA T2.6.1 7500 psi Max.
Connector/Cable to withstand 5lb force strain	
Assembly to be capable of 15lb/ft Min. torque applied to locknut	
Operating Temperature:	-40° to 230°F
Humidity:	0 to 100%

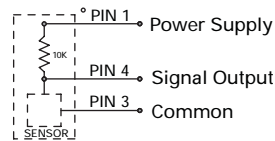
Electrical information shown in this window is for offset sensing, Proximity Switch "PPA", "PPB" or "PPD" Models

### Functional Diagram - Spring Offset

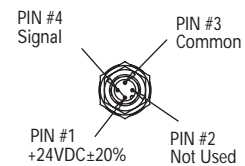


0=voltage at pin 4 0.5V min.  
1=voltage at pin 4 (Input-2.2V) min.

### Output Circuit Wiring Instructions



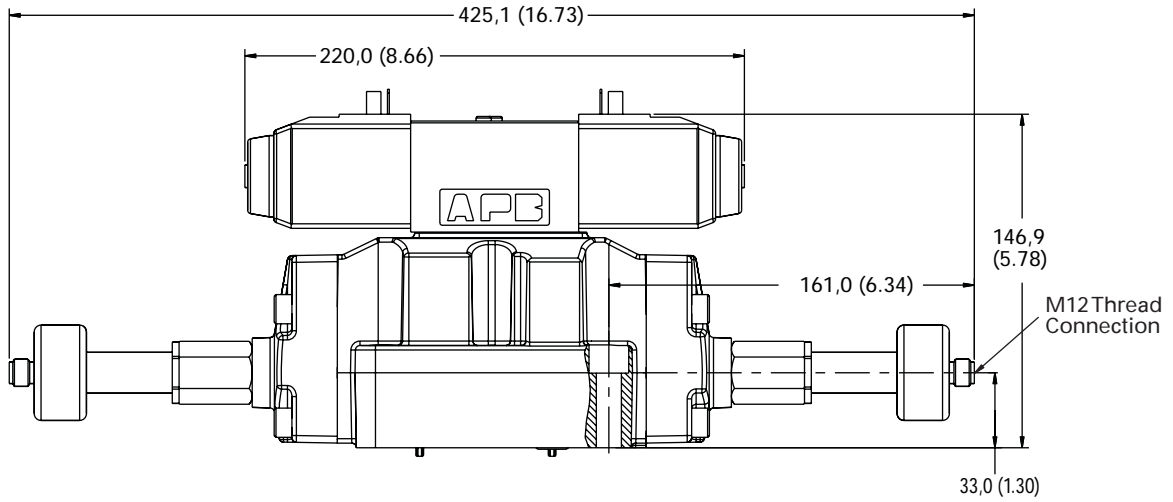
### Connector Detail



# Electrical Information

## DG3V-7 with Main Stage Spool Monitoring Switch "PCA", "PCB", "PDA", "PDB", "PCD" Models (LVDT style)

Millimeters (inches)

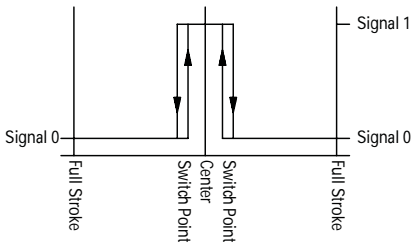


### SPECIFICATIONS

SUPPLY VOLTAGE	24VDC +/- 20%
(FULL WAVE BRIDGE WITH CAPACITOR)	
REVERSE POLARITY PROTECTION	MAX. 300 V INSTALLED
RIPPLE VOLTAGE	10%
CURRENT CONSUMPTION	40 mA APPROX
OUTPUTS	NC CONTACT POSITIVE
OUTPUT VOLTAGE	(NO SHORT CIRCUIT PROTECTION)
SIGNAL L	INPUT - 2.5 V
SIGNAL O	< 1.8 V
OUTPUT CURRENT	< 400 mA AT INPUT + 20%
ENVIRONMENTAL PROTECTION	IP65 (WITH MOUNTED PLUG)
OPERATING TEMP RANGE	0° C TO +85° C
WIRE CROSS-SECTIONAL AREA	4 X 0.5mm <sup>2</sup>
TENSILE STRENGTH OF TRANSMIT CONDUIT p dyn.	315 bar
CE DECLARATION OF CONFORMITY NO.	00 02 002 9 93

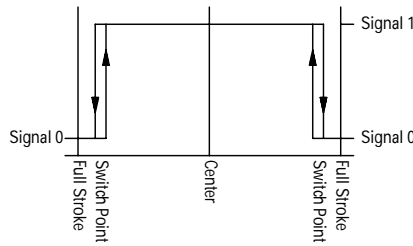
ATTENTION: EMC ONLY ENSURED WHEN USING SCREENED CABLES AND SCREENED PLUG CASING!

TYPICAL "PCA/PCB" OUTPUT  
(FOR SENSING CENTER POSITION)



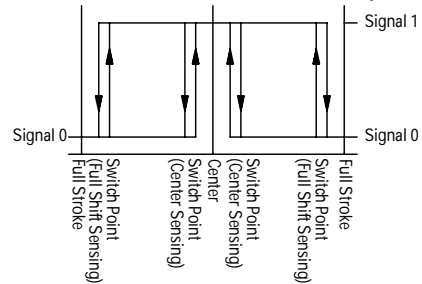
Signal 0 = Voltage at pin 2/4 < 1.8V  
Signal 1 = Voltage at pin 2/4 > (Vs - 2.5V)

TYPICAL "PDA/PDB" OUTPUT  
(FOR FULL SHIFT SENSING)



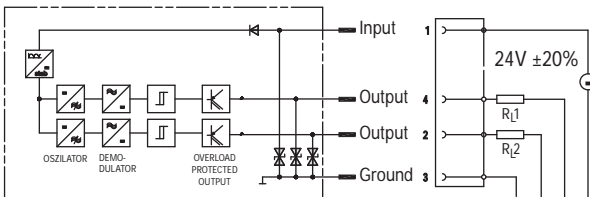
Signal 0 = Voltage at pin 2/4 < 1.8V  
Signal 1 = Voltage at pin 2/4 > (Vs - 2.5V)

TYPICAL "PCD" OUTPUT  
(FOR CENTER SENSING 'A' PORT END,  
FULL SHIFT SENSING 'B' PORT END)



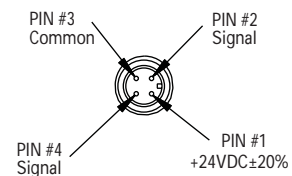
Signal 0 = Voltage at pin 2/4 < 1.8V  
Signal 1 = Voltage at pin 2/4 > (Vs - 2.5V)

### Electrical Schematic and Mating Connector Detail



R<sub>1</sub>, R<sub>2</sub> = e.g. Coil Resistance of the switch relay >= 60 OHMS

### Connector Detail





# Electrical Information

## Plugs for ISO 4400 (DIN 43650) Type Coil Connection

For valves with type "U" coils

The cable entry on these plugs can be repositioned at 90° intervals by reassembly of the contact holder relative to the plug housing.

The cable entry is Pg.11, for cable Ø 6-10 mm (0.24 to 0.39 dia).

Order separately by part number.

### PLUGS WITHOUT INDICATOR LIGHTS

Part no.	Color	Use on solenoid coil
710775	Black	Sol. B
710776	Gray	Sol. A

### PLUGS WITH INDICATOR LIGHTS

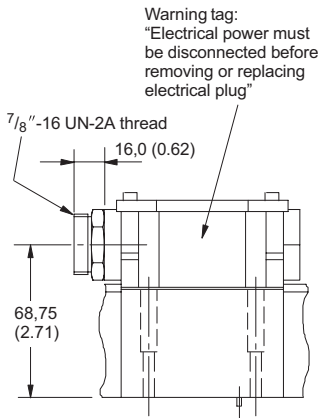
Voltage	Part no. Gray (sol. A)	Part no. Black (sol. B)
12-24V	977467	977466
100-125V	977469	977468
200-240V	977471	977470

## NFPA Connector T3.5.29-1980

DG5V-7-\*\*\*---FPA3W(L) and DG5V-7-\*\*\*---FPA5W(L) models

The receptacle is a standard three or five-pole connector with shortened leads and terminals added. The five-pole plug has four leads 101,6 mm (4.0") long and one of 177,8 mm (7.0") length. All wires have US Underwriters Laboratory-recognized non-solder insulated eyelet terminals. The green wire is used for the ground (earth) connection (No. 8-size screw furnished). Valves are supplied prewired.

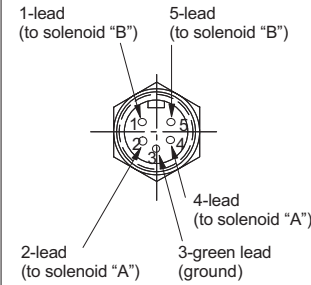
## Connection details and model type/model code references



### 5-pin connector

When fitted in double-solenoid valves, e.g.:

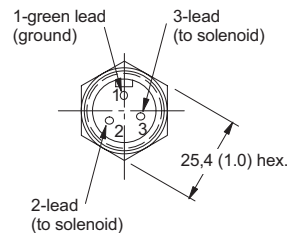
DG5V-7-\*C(-\*\*-)(V)M-FPA5W(L)  
DG5V-7-\*D(-\*\*-)(V)M-FPA5W(L)  
DG5V-7-\*N(-\*\*-)(V)M-FPA5W(L)



### 3-pin connector

When fitted in single-solenoid valves, e.g.:

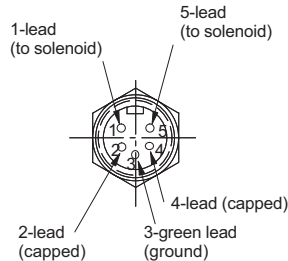
DG5V-7-\*A(L)(-\*\*-)(V)M-FPA3W(L)  
DG5V-7-\*B(L)(-\*\*-)(V)M-FPA3W(L)



### 5-pin connector

When fitted in single-solenoid valves, e.g.:

DG5V-7-\*A(L)(-\*\*-)(V)M-FPA5W(L)  
DG5V-7-\*B(L)(-\*\*-)(V)M-FPA5W(L)

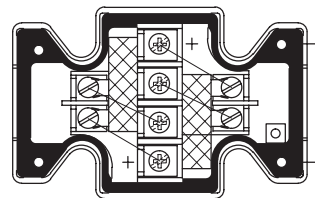
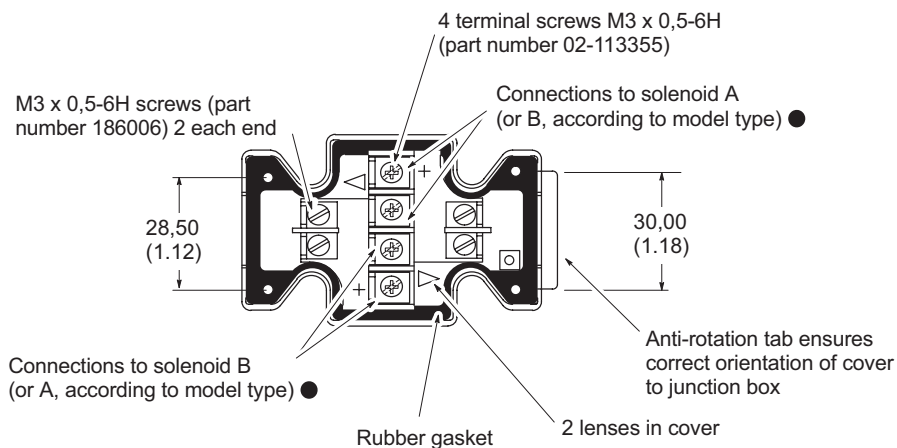
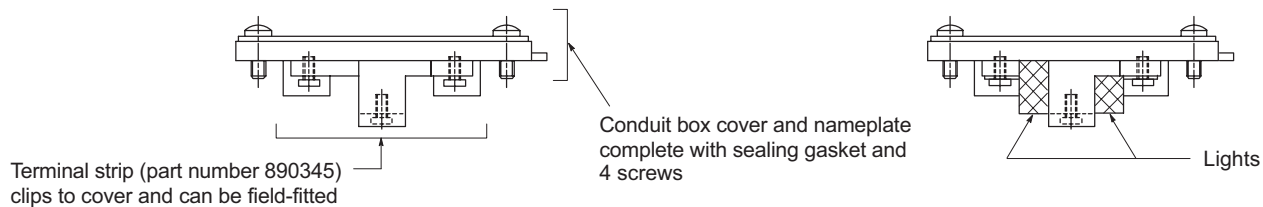


## Terminal Strip and Light Options

When fitted in solenoid controlled valves DG5V-7-\*\*(L)---F\*\*\*\*(L).

DG5V-7-\*\*(L)---F\*\*\*\*\*

DG5V-7-\*\*(L)---F\*\*\*\*L\*



- 1. For DC coils the +ve lead(s) must be connected to the terminal(s) marked +. When using 3-wire incoming leads to double solenoid valves (i.e. common neutral) the inner pair of terminals must be linked.
- 2. For correct light indication of energized solenoid ensure that solenoid leads are correctly connected: light terminals are common with each outer pair of solenoid terminals according to the side with + mark.

Eaton  
14615 Lone Oak Road  
Eden Prairie, MN 55344  
USA  
Tel: 952 937-9800  
Fax: 952 974-7722  
[www.hydraulics.eaton.com](http://www.hydraulics.eaton.com)

Eaton  
20 Rosamond Road  
Footscray  
Victoria 3011  
Australia  
Tel: (61) 3 9319 8222  
Fax: (61) 3 9318 5714

Eaton  
Dr.-Reckeweg-Str. 1  
D-76532 Baden-Baden  
Germany  
Tel: (49) 7221 682-0  
Fax: (49) 7221 682-788



© 2006 Eaton Corporation  
All rights reserved  
Printed in USA  
Document No. V-VLDI-MC007-E  
Supercedes GB-2326B  
June 2006